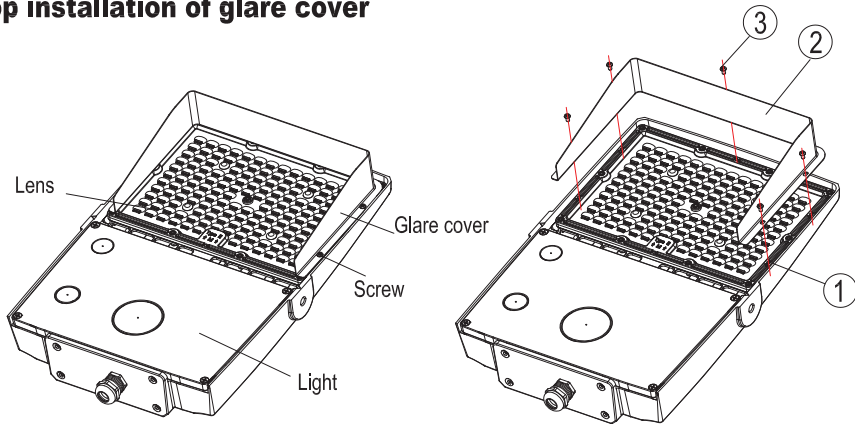


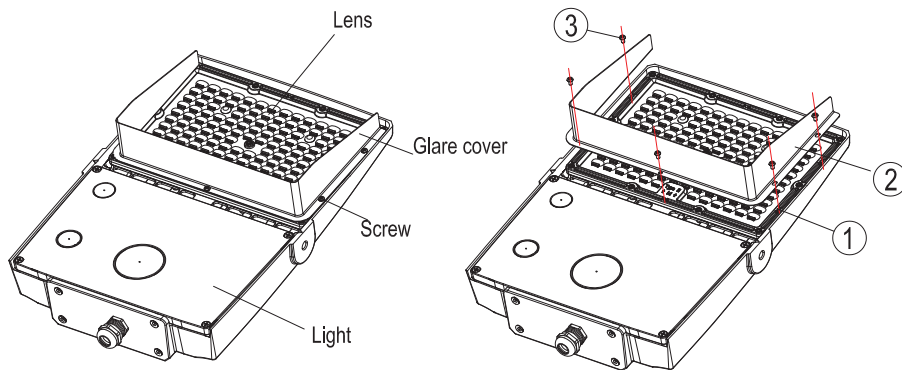
# Glare cover installation

PARX75W

## Top installation of glare cover



## Bottom installation of glare cover



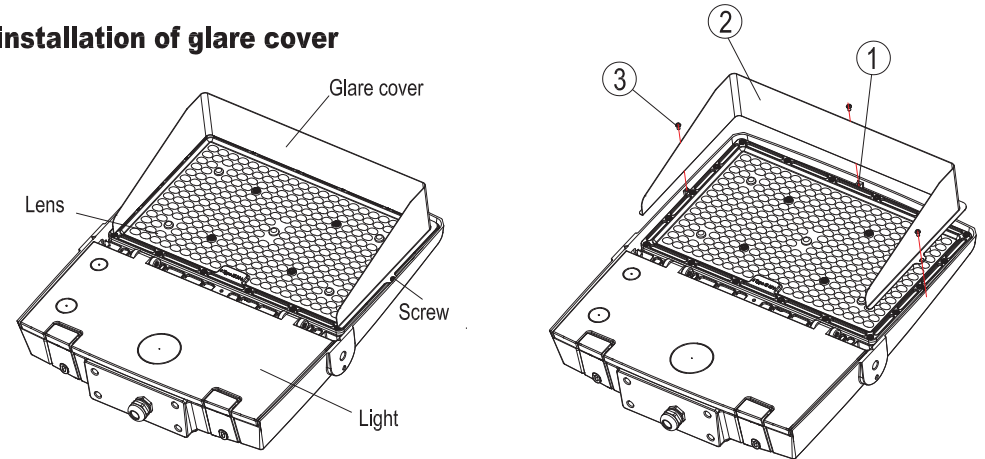
1. Find the hole on the lens;
2. The bottom of the glare cover is attached to the surface of the lens;
3. Fix the matching screws through the cover to the lens.

**The above steps are applicable for top or bottom installation.**

# Glare cover installation

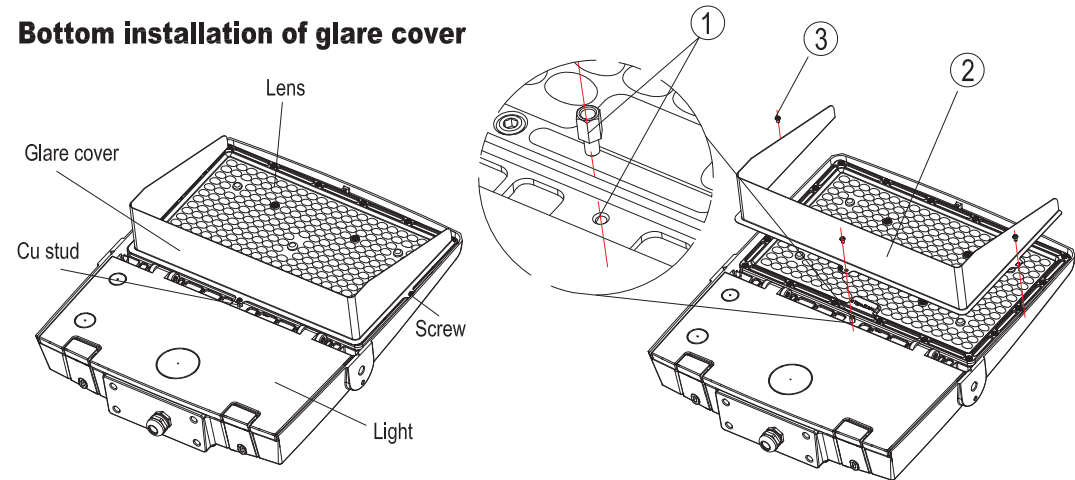
PARX150W | PARX200W | PARX300W

## Top installation of glare cover



1. Find the threaded hole on the radiator;
2. The bottom of the glare cover is attached to the surface of the lens;
3. The screw passes through the hole on the cover and is fixed to the radiator.

## Bottom installation of glare cover



1. Find the threaded hole on the radiator and install the Cu stud on the bottom screw hole;
2. The bottom of the glare cover is attached to the surface of the lens;
3. The screw passes through the hole on the cover and is fixed to the radiator and Cu stud.